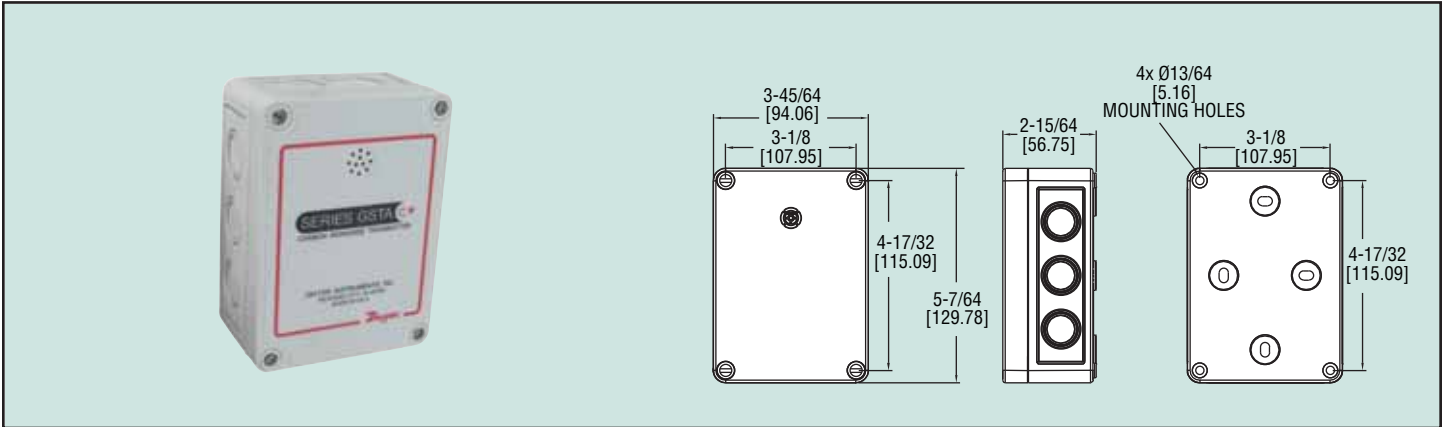




Series
GSTA

Carbon Monoxide Gas Transmitter

High Accuracy Electrochemical Sensor, Universal Output



The Series GSTA Carbon Monoxide Transmitters monitor the gas concentration in underground parking garages and loading docks. Carbon monoxide is commonly used to measure the exhaust of gasoline engines. Field selectable current and voltage outputs allow the transmitter to be used with almost any building management controller. For carbon monoxide units, the user can select the output range to be 0 to 200 ppm or 0 to 500 ppm. The output can be inverted to read 20 to 4 mA or 10 (5) to 0 VDC using internal dip switches.

To maximize the accuracy of the Series GSTA, the sensor can be field-calibrated using the A-449 remote LCD display. When the sensor reaches the end of its life, the display will indicate that the sensor needs to be replaced.

Model	Gas Sensed
GSTA-C	CO

ACCESSORIES



A-449, Remote LCD Display



A-505, CO Replacement Sensor

SPECIFICATIONS

Sensor: Field replaceable electrochemical, 4 years typical lifespan. Recommend calibration every 6 months.

Range:

CO: switch selectable 200 or 500 ppm;

Output Drift: <5% per year in air.

Coverage Area: 5000 to 7500 sq ft typical.

Accuracy: CO=2% at the time of calibration.

Resolution:

CO=1 ppm;

Temperature Range: -4 to 122°F (-20 to 50°C).

Storage Temperature: For best sensor life, 32 to 68°F (0 to 20°C).

Humidity Range: 15 to 90% RH constant; 0 to 99% RH intermittent.

Response Time: <45 seconds to 90% CO.

Span and Zero Adjustment: Via pushbutton, using optional A-449 display.

Housing: UV resistant glass filled polycarbonate.

Output:

Switch selectable 4 to 20 mA (loop powered), 0 to 5 V @ 5 mA, or 0 to 10 V @ 5 mA;

Switch selectable 0 to 5 V / 1 to 5 V and 0 to 10 V / 2 to 10 V;

Switch selectable normal or reverse output.

Power Supply:

Current output=10 to 35 VDC;

Voltage output=15 to 35 VDC or 15 to 29 VAC.

Electrical Connection: Removable terminal block, knocks out for conduit fitting.

Calibration: Via pushbuttons using A-449 auxiliary display. Span gas concentration is field selectable.

Weight: 1 lb (.45 kg).

Agency Approvals: CE, RoHS.

AIR QUALITY

Gas Sensing Transmitters